

Nordfab MDC Reverse Pulse Dust Collectors

MDC P SERIES

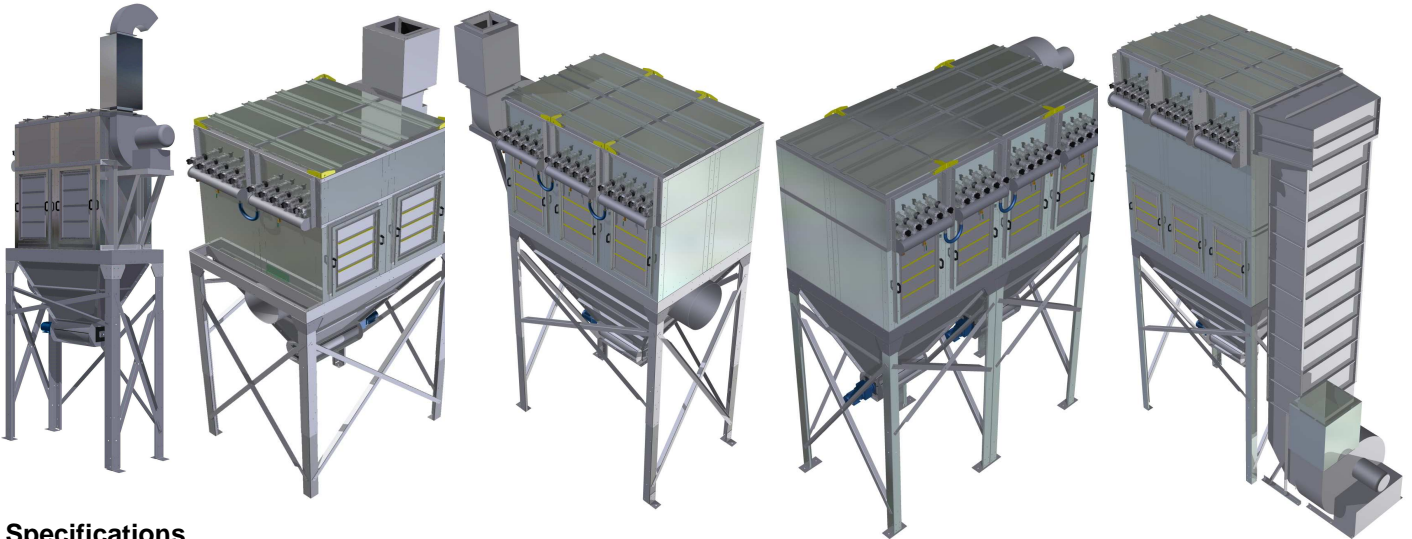
MDC-P series is an intelligent dust collector that automatically and continuously self cleans its filter cartridges with a reverse pulse action. The MDC-P is available with airflow from 6,000 to 210,000 m³/h.

It has been designed in Australia by experienced engineers to suit Australian industry requirements for a dust collector that requires the minimum amount of labour and energy to operate.

The MDC-P is supplied standard with a Rotary Discharge Valve (or airlock).

The MDC-P is supplied standard with a High Efficiency Clean Air Fan that produces around 25% more air than conventional Fans and saves on energy costs.

The Variable Speed Drive (optional) is a fantastic energy saving device that lowers and increases the power consumption of the fan motor when slide dampers are closed and opened.



Specifications

Model	MDC 6000 P™		MDC 12000 P™		MDC 18000 P™		MDC 24000 P™		MDC 36000 P™	
	Short	Tall	Short	Tall	Short	Tall	Short	Tall	Short	Tall
Fan Motor	11 kW	11 kW	18.5 kW	18.5 kW	22 kW	22 kW	30 kW	30 kW	45 kW	45 kW
Air Flow (max)	6000 m ³ /h	6000 m ³ /h	12000 m ³ /h	12000 m ³ /h	18000 m ³ /h	18000 m ³ /h	24000 m ³ /h	24000 m ³ /h	36000 m ³ /h	36000 m ³ /h
Filter Area	25 m ²	25 m ²	50 m ²	50 m ²	75 m ²	75 m ²	100 m ²	100 m ²	150 m ²	150 m ²
Rotary Valve(s)	1 @ 0.75 kW	1 @ 0.75 kW	1 @ 0.75 kW	1 @ 0.75 kW	1 @ 0.75 kW	1 @ 0.75 kW	2 @ 0.75 kW	1 @ 0.75 kW	3 @ 0.75 kW	1 @ 0.75 kW
Pulse Valves	5	5	10	5	15	10	20	10	30	15
Height	5120 mm	6720 mm	5770 mm	6720 mm	6120 mm	7370 mm	5770 mm	7370 mm	5770 mm	7720 mm
Width (excluding fan)	2563 mm	2563 mm	2563 mm	2563 mm	3075 mm	2563 mm	4100 mm	2563 mm	6150 mm	3075 mm
Depth	1025 mm	1025 mm	2050 mm	1025 mm	2050 mm	2050 mm	2050 mm	2050 mm	2050 mm	2050 mm
Bin Size (max)	1 @ 3 m ³	1 @ 3 m ³	1 @ 3 m ³	1 @ 3 m ³	1 @ 3 m ³	1 @ 3 m ³	2 @ 3 m ³	1 @ 3 m ³	3 @ 3 m ³	1 @ 3 m ³

Important note: Fires and dust explosions can be caused by various ignition sources including sparks and optimum dust concentrations etc. We recommend fitting dust collectors with explosion vents and locating them outside of buildings to reduce the risk of damage to property and personnel in the event of an explosion or fire.

Nordfab MDC P Reverse Pulse Dust Collectors

MDC 6000 P™ 11 kW (short version)

MDC-P series is an intelligent dust collector that automatically and continuously self cleans its filter cartridges with a reverse pulse action. The MDC-P is available with airflow from 6,000 to 210,000 m³/h.

It has been designed in Australia by experienced engineers to suit Australian industry requirements for a dust collector that requires the minimum amount of labour and energy to operate.

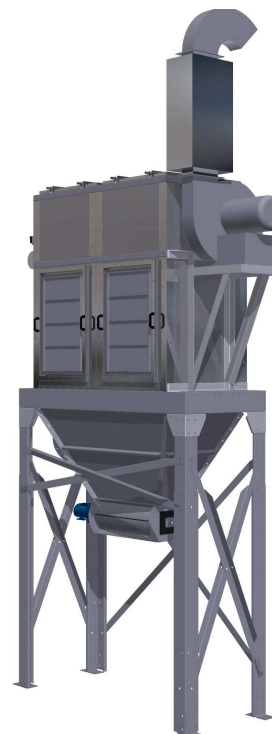
The MDC-P is supplied standard with a Rotary Discharge Valve (or air-lock).

The MDC-P is supplied standard with a High Efficiency Clean Air Fan that produces around 25% more air than conventional Fans and saves on energy costs.

The Variable Speed Drive (optional) is a fantastic energy saving device that lowers and increases the power consumption of the fan motor when slide dampers are closed and opened.

Specifications

Model	MDC 6000 P™ 11 kW (short)
Fan Motor	11 kW, 2 pole, 3 phase, 415 V, IP55
Air Flow	Up to 6000 m ³ /h
Filter Area	25 m ²
Rotary Valve	0.75 kW, 4 pole, 3 phase, 415 V, IP55
Pulse Valves	5 @ 240 VAC
Height	5120 mm
Width	2563 mm
Depth	1025 mm
Bin Size	Up to 3 m ³
Control panel	11 kW star-delta (or optional 11 kW VSD)



Important note: Fires and dust explosions can be caused by various ignition sources including sparks and optimum dust concentrations etc. We recommend fitting dust collectors with explosion vents and locating them outside of buildings to reduce the risk of damage to property and personnel in the event of an explosion or fire.

Nordfab MDC P Reverse Pulse Dust Collectors

MDC 12000 P™ 18.5 kW (short version)

MDC-P series is an intelligent dust collector that automatically and continuously self cleans its filter cartridges with a reverse pulse action. The MDC-P is available with airflow from 6,000 to 210,000 m³/h.

It has been designed in Australia by experienced engineers to suit Australian industry requirements for a dust collector that requires the minimum amount of labour and energy to operate.

The MDC-P is supplied standard with a Rotary Discharge Valve (or air-lock).

The MDC-P is supplied standard with a High Efficiency Clean Air Fan that produces around 25% more air than conventional Fans and saves on energy costs.

The Variable Speed Drive (optional) is a fantastic energy saving device that lowers and increases the power consumption of the fan motor when slide dampers are closed and opened.



Specifications

Model	MDC 12000 P™ 18.5 kW (short)
Fan Motor	18.5 kW, 2 pole, 3 phase, 415 V, IP55
Air Flow	Up to 12000 m ³ /h
Filter Area	50 m ²
Rotary Valve	0.75 kW, 4 pole, 3 phase, 415 V, IP55
Pulse Valves	10 @ 240 VAC
Height	6720 mm
Width	2563 mm
Depth	1025 mm
Bin Size	Up to 3 m ³
Control panel	18.5 kW star-delta (or optional 18.5 kW VSD)

Important note: Fires and dust explosions can be caused by various ignition sources including sparks and optimum dust concentrations etc. We recommend fitting dust collectors with explosion vents and locating them outside of buildings to reduce the risk of damage to property and personnel in the event of an explosion or fire.

Nordfab MDC P Reverse Pulse Dust Collectors

MDC 18000 P™ 22 kW (short version)

MDC-P series is an intelligent dust collector that automatically and continuously self cleans its filter cartridges with a reverse pulse action. The MDC-P is available with airflow from 6,000 to 210,000 m³/h.

It has been designed in Australia by experienced engineers to suit Australian industry requirements for a dust collector that requires the minimum amount of labour and energy to operate.

The MDC-P is supplied standard with a Rotary Discharge Valve (or airlock).

The MDC-P is supplied standard with a High Efficiency Clean Air Fan that produces around 25% more air than conventional Fans and saves on energy costs.

The Variable Speed Drive (optional) is a fantastic energy saving device that lowers and increases the power consumption of the fan motor when slide dampers are closed and opened.



Specifications

Model	MDC 18000 P™ 11 kW (short)
Fan Motor	22 kW, 2 pole, 3 phase, 415 V, IP55
Air Flow	Up to 18000 m ³ /h
Filter Area	75 m ²
Rotary Valve	0.75 kW, 4 pole, 3 phase, 415 V, IP55
Pulse Valves	15 @ 240 VAC
Height	5770 mm
Width	2563 mm
Depth	2050 mm
Bin Size	Up to 3 m ³
Control panel	22 kW star-delta (or optional 22 kW VSD)

Important note: Fires and dust explosions can be caused by various ignition sources including sparks and optimum dust concentrations etc. We recommend fitting dust collectors with explosion vents and locating them outside of buildings to reduce the risk of damage to property and personnel in the event of an explosion or fire.

Nordfab MDC P Reverse Pulse Dust Collectors

MDC 24000 P™ 30 kW (short version)

MDC-P series is an intelligent dust collector that automatically and continuously self cleans its filter cartridges with a reverse pulse action. The -P is available with airflow from 6,000 to 210,000 m³/h.

It has been designed in Australia by experienced engineers to suit Australian industry requirements for a dust collector that requires the minimum amount of labour and energy to operate.

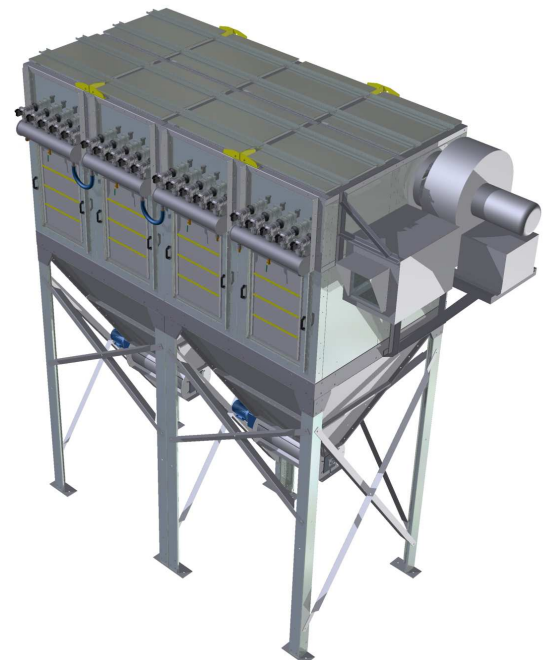
The MDC-P is supplied standard with a Rotary Discharge Valve (or air-lock).

The MDC-P is supplied standard with a High Efficiency Clean Air Fan that produces around 25% more air than conventional Fans and saves on energy costs.

The Variable Speed Drive (optional) is a fantastic energy saving device that lowers and increases the power consumption of the fan motor when slide dampers are closed and opened.

Specifications

Model	MDC 24000 P™ 30 kW (short)
Fan Motor	30 kW, 2 pole, 3 phase, 415 V, IP55
Air Flow	Up to 24000 m ³ /h
Filter Area	100 m ²
Rotary Valve	0.75 kW, 4 pole, 3 phase, 415 V, IP55
Pulse Valves	20 @ 240 VAC
Height	5770 mm
Width	4100 mm
Depth	2050 mm
Bin Size	Up to 3 m ³
Control panel	30 kW star-delta (or optional 30 kW VSD)



Important note: Fires and dust explosions can be caused by various ignition sources including sparks and optimum dust concentrations etc. We recommend fitting dust collectors with explosion vents and locating them outside of buildings to reduce the risk of damage to property and personnel in the event of an explosion or fire.

Nordfab MDC P Reverse Pulse Dust Collectors

MDC 24000 P™ 30 kW (Short version)



Nordfab MDC P Reverse Pulse Dust Collectors

MDC 24000 P™ 30 kW (tall version)

MDC-P series is an intelligent dust collector that automatically and continuously self cleans its filter cartridges with a reverse pulse action. The MDC-P is available with airflow from 6,000 to 210,000 m³/h.

It has been designed in Australia by experienced engineers to suit Australian industry requirements for a dust collector that requires the minimum amount of labour and energy to operate.

The MDC-P is supplied standard with a Rotary Discharge Valve (or airlock).

The MDC-P is supplied standard with a High Efficiency Clean Air Fan that produces around 25% more air than conventional Fans and saves on energy costs.

The Variable Speed Drive (optional) is a fantastic energy saving device that lowers and increases the power consumption of the fan motor when slide dampers are closed and opened.



Specifications

Model	MDC 24000 P™ 30 kW (tall)
Fan Motor	30 kW, 2 pole, 3 phase, 415 V, IP55
Air Flow	Up to 24000 m ³ /h
Filter Area	100 m ²
Rotary Valve	0.75 kW, 4 pole, 3 phase, 415 V, IP55
Pulse Valves	10 @ 240 VAC
Height	7370 mm
Width	2563 mm
Depth	2050 mm
Bin Size	Up to 3 m ³
Control panel	30 kW star-delta (or optional 30 kW VSD)

Important note: Fires and dust explosions can be caused by various ignition sources including sparks and optimum dust concentrations etc. We recommend fitting dust collectors with explosion vents and locating them outside of buildings to reduce the risk of damage to property and personnel in the event of an explosion or fire.

Nordfab MDC P Reverse Pulse Dust Collectors

MDC 36000 P™ 45 kW (tall version)

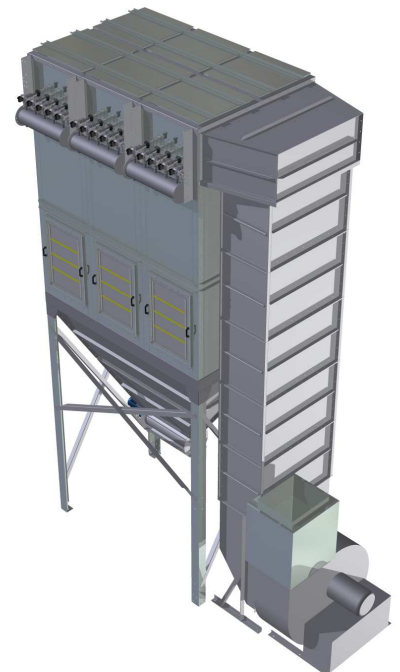
MDC-P series is an intelligent dust collector that automatically and continuously self cleans its filter cartridges with a reverse pulse action. The MDC-P is available with airflow from 6,000 to 210,000 m³/h.

It has been designed in Australia by experienced engineers to suit Australian industry requirements for a dust collector that requires the minimum amount of labour and energy to operate.

The MDC-P is supplied standard with a Rotary Discharge Valve (or airlock).

The MDC-P is supplied standard with a High Efficiency Clean Air Fan that produces around 25% more air than conventional Fans and saves on energy costs.

The Variable Speed Drive (optional) is a fantastic energy saving device that lowers and increases the power consumption of the fan motor when slide dampers are closed and opened.



Specifications

Model	MDC 36000 P™ 45 kW (tall)
Fan Motor	45 kW, 2 pole, 3 phase, 415 V, IP55
Air Flow	Up to 36000 m ³ /h
Filter Area	150 m ²
Rotary Valve	0.75 kW, 4 pole, 3 phase, 415 V, IP55
Pulse Valves	15 @ 240 VAC
Height	7720 mm
Width	3075 mm
Depth	2050 mm
Bin Size	Up to 3 m ³
Control panel	45 kW soft-starter (or optional 45 kW VSD)

Important note: Fires and dust explosions can be caused by various ignition sources including sparks and optimum dust concentrations etc. We recommend fitting dust collectors with explosion vents and locating them outside of buildings to reduce the risk of damage to property and personnel in the event of an explosion or fire.

Nordfab MDC P Reverse Pulse Dust Collectors

MDC 36000 P™ 45 kW (tall version)

