

FB Branches: Standard / Double / Cut-In / T / Y

Ø A mm	Ø B mm	Ø C mm	Ø D mm	Flat Edge mm	Steel Thickness mm	Standard Branch Weight* kg	Double Branch Weight* kg	Cut-In Branch Weight* kg	T-Branch Weight* kg	Y-Branch Weight* kg
080	080	080	080	6	0,7	0,8	1,0	0,6	0,8	0,4
100	100	100	100	6	0,7	1,2	1,6	0,8	1,1	0,6
120	120	120	120	6	0,7	1,5	2,0	1,1	1,2	0,8
125	125	125	125	6	0,7	1,6	2,1	1,2	1,2	0,8
140	140	140	140	6	0,7	1,8	2,3	1,3	1,6	0,9
150	150	150	150	6	0,7	2,0	2,6	1,5	1,8	1,0
160	160	160	160	6	0,7	2,2	2,9	1,7	2,0	1,1
180	180	180	180	6	0,7	2,5	3,3	2,0	2,2	1,3
200	200	200	200	6	0,7	3,5	4,6	2,5	2,6	1,8
225	225	225	225	6	0,7	4,3	5,6	2,6	3,0	2,2
250	250	250	250	6	0,7	5,0	6,5	3,4	3,3	2,5
300	300	300	300	6	0,7	5,5	7,2	4,4	4,2	2,8
315	315	315	315	6	0,7	5,9	7,7	5,0	4,8	2,9
350	350	350	350	6	0,7	7,5	9,8	5,8	4,2	3,8
400	400	400	400	6	0,9	8,5	11,1	7,1	4,6	4,3
450	450	450	450	6	0,9	11,0	15,4	9,0	5,2	5,5
500	500	500	500	6	0,9	12,2	17,1	11,3	5,8	6,1
550	550	550	550	6	0,9	15,8	20,7	15,0	6,4	7,8
600	600	600	600	6	0,9	20,6	24,8	16,3	6,9	8,5
630	630	630	630	6	0,9	26,0	28,7	17,2	7,5	9,5
650	650	650	650	6	0,9	32,1	32,5	17,7	8,3	12,0
700	700	700	700	6	0,9	38,0	38,5	19,1	9,6	13,0
750	750	750	750	6	0,9	42,8	41,3	20,4	9,6	16,0
800	800	800	800	6	0,9	47,9	46,2	21,8	10,6	19,0
850	850	850	850	6	0,9	N/A	N/A	N/A	N/A	N/A
900	900	900	900	6	0,9	N/A	N/A	N/A	N/A	N/A
1000	1000	1000	1000	6	0,9	N/A	N/A	N/A	N/A	N/A

Construction:

Seam: Longitudinal seam is lapped, spot welded, and caulked.

Collars: Located on the exterior side of each port and considered as air flow non-directional. Collars have lapped, spot welded and caulked longitudinal seam.

If air flow directional product is required, it must be stated on the PO and additional cost may be incurred.

Ends: 6 mm turned out edge (FB). Above Ø800, only available with flanged end (FLI).

Additional Notes

At temperatures ranging between 200° C and 250° C, the zinc-iron alloy layers in galvanised steel will continue to provide a high level of protection from corrosion. However, there may be some peeling, changes in mechanical properties, and reduction in the corrosion protection. Recommended max. service temperature is +80°C.

Above Ø800, only available with flanged end. 304SS available upon request.

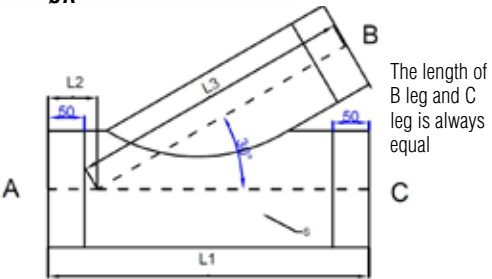
*Weight varies depending on combination of A-B-C-D diameters.



TECHNICAL DATA SHEET: FB BRANCHES



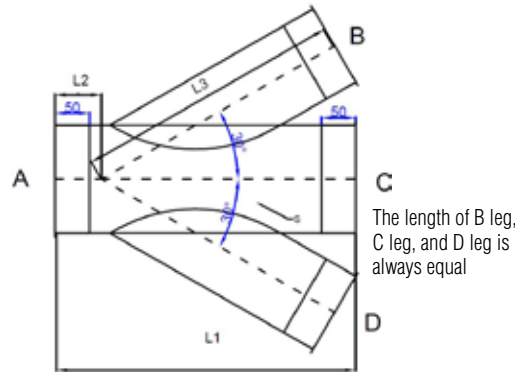
Standard branch angle is 30°. Optional 45° available.



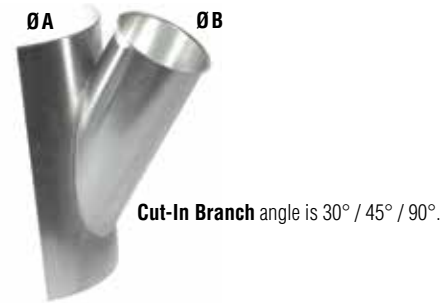
$L = (B \times 2) + 206$
Example $L = (125 \times 2) + 206 = 456$
ØC must be smaller than or equal to ØA
ØB must be smaller than or equal to ØC



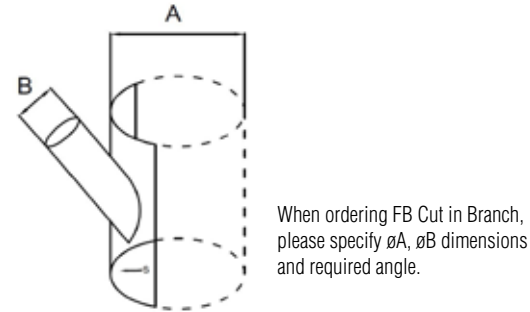
Double Branch angle is 30°. Optional 45° available.



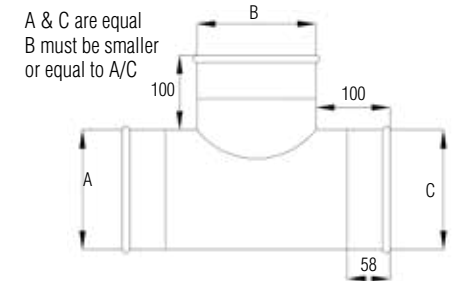
$L = (B \times 2) + 206$
Example $L = (125 \times 2) + 206 = 456$
ØC must be smaller than or equal to ØA
ØB must be smaller than or equal to ØC
ØD must be smaller than or equal to ØC



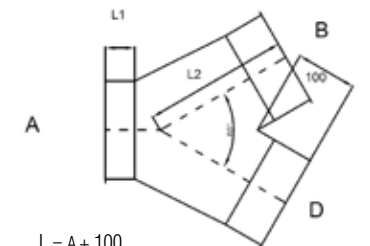
Cut-In Branch angle is 30° / 45° / 90°.



T-Branch angle is 90°.



Y-Branch angle is 60°. Optional 90° available.



Compliance / Rating of Product Components

Product	Material	Compliance / Rating
FB Branches	Galvanised	DX51D with Z275 Coating
Joka Seal Metal Sealant 2315	Aceton Blend	AAMA Specification 801.1

Temperature Rating of Product Components

	FB Branches	Sealant
200°C	Galvanised Steel	Joka Seal Metal Sealant 2315
121°C		
-20°C		