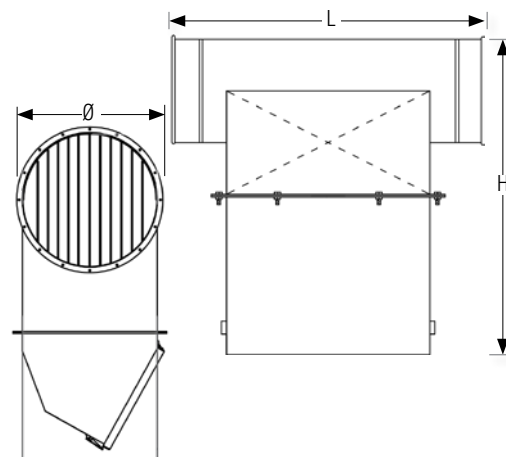


TECHNICAL DATA SHEET: FB DROP OUT BOX

Ø mm	O/D mm	I/D mm	Flat Edge mm	L	H	Weight kg
160	160,7	159,3	6	480	495	11,3
200	200,7	199,3	6	600	575	16,0
250	250,7	249,3	6	750	675	23,1
315	315,7	314,3	6	945	805	34,2
400	400,7	399,3	6	1200	975	66,5
500	500,7	499,3	6	1500	1175	96,6
550	550,7	549,3	6	1500	1175	114,3



Construction:

Seam: longitudinal seam is laser or plasma welded.

Ends: 6 mm turned out edge (FB). Also available in flanged.

Compliance / Rating of Product Components

Product	Material	Compliance / Rating
FB Drop Out Box	Galvanised	DX51D with Z275 Coating
Joka Seal Metal Sealant 2315	Aceton Blend	AAMA Specification 801.1

Temperature Rating of Product Components

	FB Drop Out Box	Sealant
200°C	Galvanised Steel	Joka Seal Metal Sealant 2315
121°C		
-20°C		

Additional Notes

At temperatures ranging between 200° C and 250° C, the zinc-iron alloy layers in galvanised steel will continue to provide a high level of protection from corrosion. However, there may be some peeling, changes in mechanical properties, and reduction in the corrosion protection. Recommended max. service temperature is +80°C.

