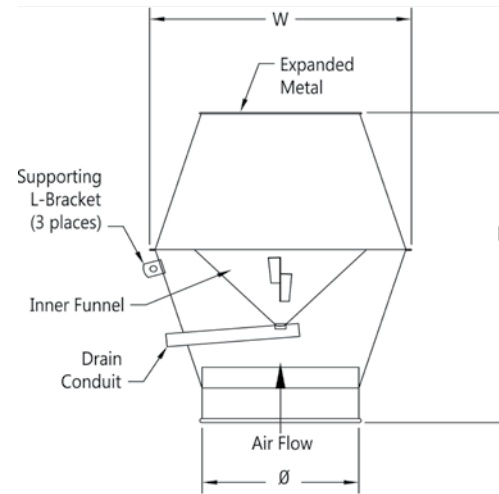


Ø mm	O/D mm	I/D mm	Flat Edge mm	W mm	L mm	Weight kg	Galvanised Steel Thickness mm
100	100,7	99,3	6	160	300	1,3	0,7
125	125,7	124,3	6	200	350	1,8	0,7
140	147,7	139,3	6	226	380	2,2	0,7
150	157,7	149,3	6	242	400	2,4	0,7
160	160,7	159,3	6	256	420	2,7	0,7
180	180,7	179,3	6	290	460	3,3	0,7
200	200,7	199,3	6	322	500	3,9	0,7
250	250,7	249,3	6	401	600	6,1	0,7
300	300,7	297,3	6	483	700	8,3	0,7
315	315,7	314,3	6	506	720	9,0	0,7
350	350,7	349,3	6	564	800	11,0	0,9
400	400,7	399,3	6	644	900	14,0	0,9
450	450,7	449,3	6	724	1000	17,4	0,9
500	500,7	499,3	6	804	1100	21,1	0,9
560	560,7	559,3	6	902	1220	26,0	0,9
630	630,7	629,3	6	1014	1360	40,0	0,9
700	700,7	699,3	6	1144	1520	49,0	0,9



Construction:

Top screen: Expanded metal, 3/4" square pattern
Koga painted black metal.

Collars: Collars have a laser welded longitudinal seam.

Drain conduit:

12 mm dia. used for 100 - 315 mm.
25 mm dia. used for 350 - 600 mm.
50 mm dia. used for 630 - 1000 mm.

Ends: 6 mm turned out edge (FB). Also supplied in flanged design.

Additional Notes

At temperatures ranging between 200° C and 250° C, the zinc-iron alloy layers in galvanised steel will continue to provide a high level of protection from corrosion. However, there may be some peeling, changes in mechanical properties, and reduction in the corrosion protection. Recommended max. service temperature is +80° C.

Compliance / Rating of Product Components

Product	Material	Compliance / Rating
Jet Cowl	Galvanised	DX51D with Z275 Coating
Joka Seal Metal Sealant 2315	Aceton Blend	AAMA Specification 801.1

Temperature Rating of Product Components

	Jet Cowl	Sealant
200°C	Galvanised Steel	Joka Seal Metal Sealant 2315
121°C		
-20°C		

