

TECHNICAL DATA SHEET: FLANGED FLI BRANCHES

Flanged FLI Branches: Standard / Double / Cut-In / T / Y

Ø A mm	Ø B mm	Ø C mm	Ø D mm	Steel Thickness mm	Standard Branch Weight* kg	Double Branch Weight* kg	Cut-In Branch Weight* kg	T-Branch Weight* kg	Y-Branch Weight* kg
080	080	080	080	0,7	1,7	2,2	0,9	1,7	1,3
100	100	100	100	0,7	2,1	2,8	1,1	2,0	1,5
120	120	120	120	0,7	2,7	3,6	1,5	2,4	2,0
125	125	125	125	0,7	2,8	3,7	1,6	2,4	2,0
140	140	140	140	0,7	3,0	3,9	1,7	2,8	2,1
150	150	150	150	0,7	3,5	4,6	2	3,3	2,5
160	160	160	160	0,7	4,0	5,3	2,3	3,8	2,9
180	180	180	180	0,7	4,3	5,7	2,6	4,0	3,1
200	200	200	200	0,7	5,6	7,4	3,2	4,7	3,9
225	225	225	225	0,7	6,7	8,8	3,4	5,4	4,6
250	250	250	250	0,7	7,7	10,1	4,3	6,0	5,2
300	300	300	300	0,7	8,5	11,2	5,4	7,2	5,8
315	315	315	315	0,7	9,8	12,9	6,3	8,7	6,8
350	350	350	350	0,7	12,9	17,0	7,6	9,6	9,2
400	400	400	400	0,9	14,8	19,5	9,2	10,9	10,6
450	450	450	450	0,9	17,9	24,6	11,3	12,1	12,4
500	500	500	500	0,9	20,0	27,5	13,9	13,6	13,9
550	550	550	550	0,9	24,2	31,9	17,8	14,8	16,2
600	600	600	600	0,9	29,6	36,8	19,3	15,9	17,5
630	630	630	630	0,9	35,6	41,5	20,4	17,1	19,1
650	650	650	650	0,9	42,0	45,7	21	18,2	21,9
700	700	700	700	0,9	48,5	52,5	22,6	20,1	23,5
750	750	750	750	0,9	58,1	61,7	25,5	24,9	31,3
800	800	800	800	0,9	64,1	67,8	27,2	26,8	35,2
850	850	850	850	0,9					
900	900	900	900	0,9					
950	950	950	950	0,9					
1000	1000	1000	1000	0,9					

Construction:

Seam: Longitudinal seam is lapped, spot welded, and caulked.

Collars: Located on the exterior side of each port and considered as air flow non-directional. Collars have lapped, spot welded and caulked longitudinal seam.

If air flow directional product is required, it must be stated on the PO and additional cost may be incurred.

Ends: Loose flat flanges, FLI.

Additional Notes

At temperatures ranging between 200° C and 250° C, the zinc-iron alloy layers in galvanised steel will continue to provide a high level of protection from corrosion. However, there may be some peeling, changes in mechanical properties, and reduction in the corrosion protection. Recommended max. service temperature is +80°C. Stainless Steel available upon request.

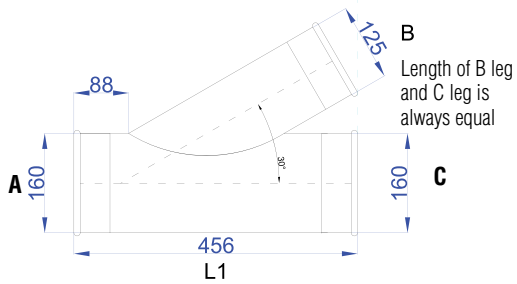
*Weight varies depending on combination of A-B-C-D diameters.



TECHNICAL DATA SHEET: FLANGED FLI BRANCHES



Standard branch angle is 30°. Optional 45° available.



$$L = (B \times 2) + 206$$

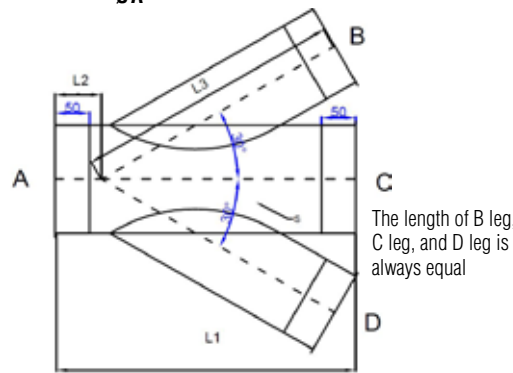
Example $L = (125 \times 2) + 206 = 456$

ØC must be smaller than or equal to ØA

ØB must be smaller than or equal to ØC



Double Branch angle is 30°. Optional 45° available.



$$L = (B \times 2) + 206$$

Example $L = (125 \times 2) + 206 = 456$

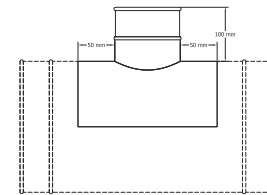
ØC must be smaller than or equal to ØA

ØB must be smaller than or equal to ØC

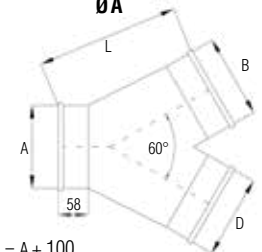
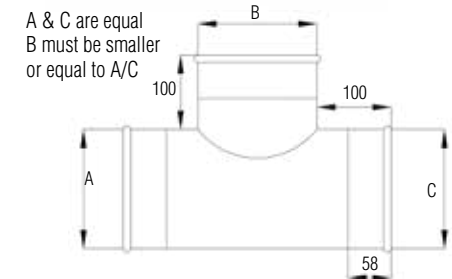
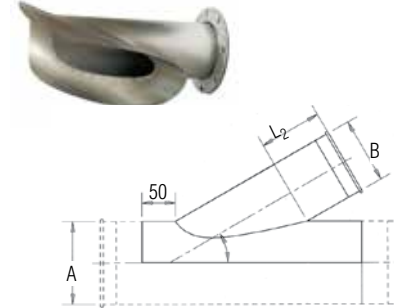
ØD must be smaller than or equal to ØC



Cut-In Branch 90°.



Cut-In Branch 30°.



$$L = A + 100$$

B and D must be smaller than or equal to A

Compliance / Rating of Product Components

Product	Material	Compliance / Rating
Flanged FLI Branches	Galvanised 304 / 316 Stainless Steel	DX51D with Z275 Coating EN.1.4301/TP.304
Joka Seal Metal Sealant 2315	Aceton Blend	AAMA Specification 801.1

Temperature Rating of Product Components

	Flanged FLI Branches	Sealant
593°C		
200°C		
121°C	Galvanised Steel	304 / 316 Stainless Steel
-20°C		Joka Seal Metal Sealant 2315