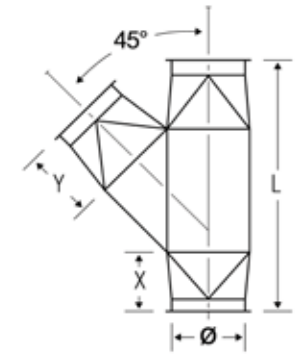


TECHNICAL DATA SHEET: RGSM MANUAL / RGBM AUTOMATIC DIVERTER VALVE

Ø mm	L mm	X mm	Y mm	Damper Blade Thickness mm	Weight RGSM kg	Weight RGBM kg
100	400	110	110	4	14,0	N/A*
125	400	110	110	4	14,0	18,9
140	495	145	145	5	17,0	22,4
150	495	145	145	5	17,0	22,4
160	495	145	145	5	17,0	22,4
180	560	145	145	5	17,0	22,4
200	560	145	145	5	20,0	22,4
225	855	250	250	5	20,0	25,4
250	855	250	250	5	20,0	30,5
300	940	250	250	5	23,0	36,6
315	940	250	250	5	24,2	38,4
350	1000	250	250	6	25,6	43,9
400	1070	295	295	6	29,3	50,2
450	1125	295	295	6	32,9	51,2
500	1315	295	295	6	36,6	52,2

* RGBM is not available in Ø100.



Additional Notes

Designed for quick changes between two streams and ideal for conveying dust particulate, our diverters meet EU's machinery directive (98/37/EC) and as standard are manufactured in 2-3 mm painted mild steel.

Operation

- The damper should be connected to clean and dry compressed air.
- Normal working pressure: 0,6 MPa (6 bar).
- Maximum pressure: 1,0 MPa (10 bar).
- Temp. range: 0 - 80°C (dry air 20°C).

Finish

RAL5009 blue

Compliance / Rating of Product Components

Product	Material	Compliance / Rating
RGSM Manual / RGBM Automatic Diverter Valve	Mild Steel	EU's machinery directive (98/37/EC)

Temperature Rating of Product Components

	RGSM Manual / RGBM Automatic Diverter Valve
80°C	Mild Steel
0°C	

