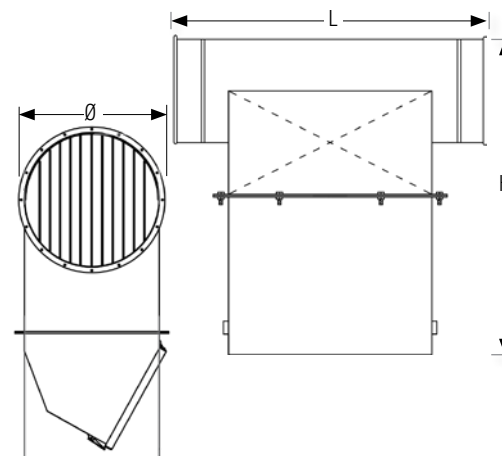


TECHNICAL DATA SHEET: QUICK-FIT (QF) DROP OUT BOX

Ø mm	O/D mm	I/D mm	Rolled Edge (nom. mm)	L	H
160	162	161	6	480	495
200	204	203	8	600	575
250	253	252	8	750	675
315	317	316	10	945	805
350	352	351	10	1050	875
400	402	400	10	1200	975
450	449	447	10	1350	1075
500	499	497	10	1500	1175
560	559	557	10	1500	1295
630	629	627	10	1500	1435
710	709	707	10	1500	1595



Construction:

Seam: longitudinal seam is laser or plasma welded.

Ends: QF (Quick-Fit rolled edge). Also available in flanged.

Additional Notes

At temperatures ranging between 200° C and 250° C, the zinc-iron alloy layers in galvanised steel will continue to provide a high level of protection from corrosion. However, there may be some peeling, changes in mechanical properties, and reduction in the corrosion protection. Recommended max. service temperature is +80° C.

Compliance / Rating of Product Components

Product	Material	Compliance / Rating
Quick-Fit (QF) Drop Out Box	Galvanised	DX51D with Z275 Coating
Joka Seal Metal Sealant 2315	Aceton Blend	AAMA Specification 801.1

Temperature Rating of Product Components

	Quick-Fit (QF) Drop Out Box	Sealant
200°C	Galvanised Steel	Joka Seal Metal Sealant 2315
121°C		
-20°C		

